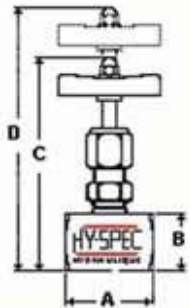
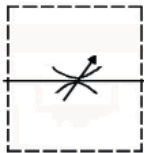


FLOW CONTROL & NEEDLE VALVES

NEEDLE VALVES

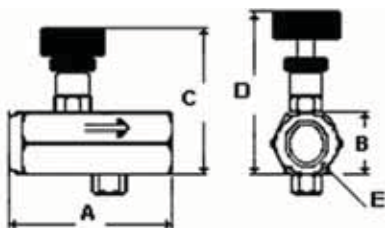
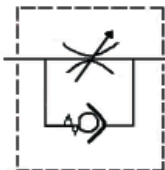
WORKING PRESSURE 5000 PSI



MODEL	THREAD	A	B	C	D	PRESSURE (PSI)	WEIGHT (lb)	LIST PRICE
		mm in.	mm in.	mm in.	mm in.			
HYS SV-02-180-N	1/4 NPT	51 2.01	22 0.87	87 3.43	100 3.94	5000	0.64	
HYS SV-02-180-S	SAE-4	51 2.01	22 0.87	87 3.43	100 3.94			
HYS SV-03-180-N	3/8 NPT	51 2.01	22 0.87	87 3.43	100 3.94		0.59	
HYS SV-03-180-S	SAE-6	51 2.01	22 0.87	87 3.43	100 3.94			
HYS SV-04-180-N	1/2 NPT	65 2.56	32 1.26	110 4.33	118 4.65		1.59	
HYS SV-04-180-S	SAE-8	65 2.56	32 1.26	110 4.33	118 4.65			
HYS SV-06-180-N	3/4 NPT	84 3.31	38 1.50	149 5.87	167 6.58		2.82	
HYS SV-06-180-S	SAE-12	84 3.31	38 1.50	149 5.87	167 6.58			
HYS SV-08-180-N	1 NPT	102 4.016	51 2.08	156 6.14	167 6.58		4.89	
HYS SV-08-180-S	SAE-16	102 4.016	51 2.08	156 6.14	167 6.58			
HYS SV-02-90-N	1/4 NPT	37 5.39	22 0.87	99 3.90	116 4.60		0.7	
HYS SV-02-90-S	SAE-4	37 5.39	22 0.87	99 3.90	116 4.60			
HYS SV-03-90-N	3/8 NPT	137 5.39	22 0.87	99 3.90	116 4.60		0.66	
HYS SV-03-90-S	SAE-6	137 5.39	22 0.87	99 3.90	116 4.60			

FLOW CONTROL VALVES

WORKING PRESSURE 5000 PSI

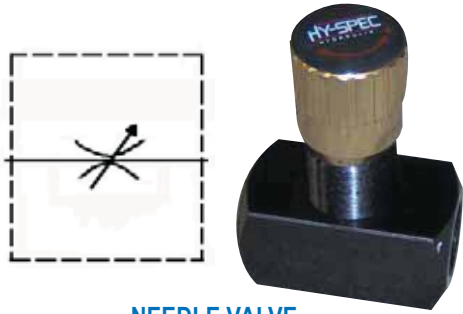


MODEL	A	B	C	D	E	PRESSURE (PSI)	MAX. FLOW (GPM)	WEIGHT (lb)	LIST PRICE
	mm in.	mm in.	mm in.	mm in.	Thread				
HYS CS1002S-N	62 2.44	23 0.91	55 2.17	60 2.36	1/4 NPT	3500	3	0.53	
HYS CS1002S-S	62 2.44	23 0.91	55 2.17	60 2.36	SAE-4				
HYS CS1003S-N	70 2.76	26 1.02	60 2.36	66 2.60	3/8 NPT		5	0.66	
HYS CS1003S-S	70 2.76	26 1.02	60 2.36	66 2.60	SAE-6				
HYS CS1004S-N	81 3.19	32 1.26	67 2.64	75 2.95	1/2 NPT	4250	8	1.08	
HYS CS1004S-S	81 3.19	32 1.26	67 2.64	75 2.95	SAE-8				
HYS CS1006S-N	92 2.62	41 1.61	80 3.15	88 3.47	3/4 NPT	5000	13	1.32	
HYS CS1006S-S	92 2.62	41 1.61	80 3.15	88 3.47	SAE-12				

ASK FOR HY-SPEC QUALITY

Product availability, specifications and prices are subject to change without notice. Taxes extra.

FLOW CONTROL & NEEDLE VALVES

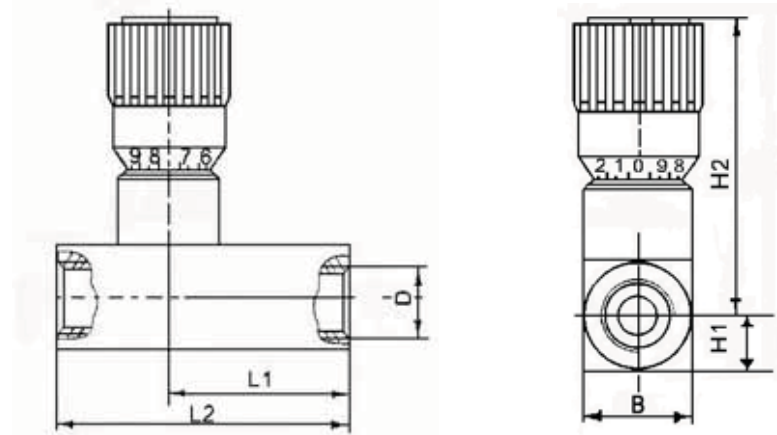


NEEDLE VALVE



FLOW CONTROL

**WORKING PRESSURE
5075 PSI**



PRODUCT	MODEL	D THREAD	L1 (mm)	L2 (mm)	B (mm)	H1 (mm)	H2 (mm)	MAX. FLOW (GPM)	WEIGHT (lb)	LIST PRICE
NEEDLE VALVE	HYSLG-400	1/4 NPT	23	47	28	14	56	4	1	
	HYSLG-600	3/8 NPT	30	54				16	1.1	
	HYSLG-800	1/2 NPT	39	68	38	19	75	20	2	
	HYSLG-1200	3/4 NPT		78				46	2.2	
	HYSLG-1600	1 NPT	54	90	48	24	102	53	4.8	
	HYSLG-2000	1 1/4 NPT		115	60	30	137	79	7.6	
	HYSLG-2400	1 1/2 NPT		140	70	35	161	105	11	
	HYSLG-3200	2 NPT	70	190	90	45	170	158	17	
FLOW CONTROL	HYSLAG-400	1/4 NPT	35	59	28	14	56	4	1.25	
	HYSLAG-420	SAE - 4						4	1.25	
	HYSLAG-600	3/8 NPT	43	73				16	1.37	
	HYSLAG-620	SAE - 6						16	1.37	
	HYSLAG-800	1/2 NPT	55	82	36	19	75	20	2.5	
	HYSLAG-820	SAE - 8						20	2.5	
	HYSLAG-1200	3/4 NPT			89	38	46	2.75		
	HYSLAG-1220	SAE - 12	46	2.75						
	HYSLAG-1600	1 NPT	56	116	48	24	102	53	5	
	HYSLAG-1620	SAE - 16						53	5	
	HYSLAG-2000	1 1/4 NPT	80	154	60	30	137	79	9.5	
	HYSLAG-2020	SAE - 20						79	9.5	
	HYSLAG-2400	1 1/2 NPT	109	170	70	35	161	105	17	
	HYSLAG-2420	SAE - 24						105	17	
	HYSLAG-3200	2 NPT	115	190	90	45	170	158	29	
	HYSLAG-3220	SAE - 32						158	29	

ASK FOR HY-SPEC QUALITY

Product availability, specifications and prices are subject to change without notice. Taxes extra.