

# ***MAVERICK***

**HYDRAULICS**



**CLEVIS  
CYLINDERS**

---

### 5. Cylinder Head Wear Ring

Glass fiber reinforced nylon, improves rod and gland life by preventing side load induced metal to metal wear.

### 4. O-Ring

Buna-N, protects threads from moisture and corrosion.

### 3. Hallite Rod Seal

Polyurethane U-CUP, ensuring a positive seal even at high pressures and high temperatures.

### 2. Hallite Rod Wiper

Polyurethane, prevents contaminants from entering the cylinder, for maximum protection of internal components.

### 6. Ports

O-Ring Boss, for zero leakage at high pressure.

### 7. Hallite Piston Seal

Polyurethane, double acting seal ensures a positive seal in both directions. Designed for pressure spikes up to 5000 PSI, operating temperature range from -40° C to 110° C, and improved wear resistance.

### 8. Piston Wear Ring

Glass fiber reinforced nylon, improves tube and piston life by preventing side load induced metal to metal wear.

### 9. Lock Nut

Self-Locking, to enable easy removal for servicing.

### 10. Pins

# 45 Steel, zinc plated.

### 11. O-Ring

Buna-N, ensures a positive seal between rod and piston.

### 12. Piston

# 45 Steel, for increased durability.

### 14. Rod

# 45 Steel, induction hardened to 45-50 Rockwell C and chrome plated 0.0008" to 0.001" thick for a final surface hardness of 69-71 Rockwell C.

### 13. Tube

# 20 Steel, with a micro-honed finish.

### 1. Clevis Attachment

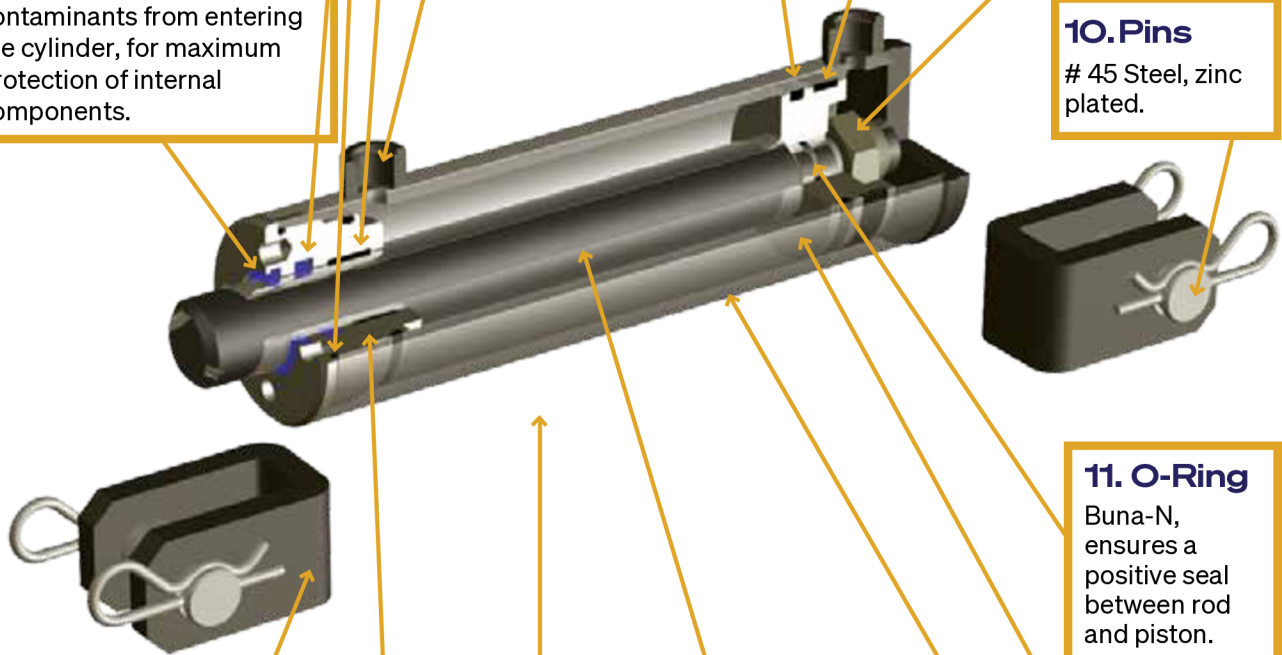
New FEM style clevis is now 5/8" thick on 3 1/2"; 3/4" thick on 4" and 1" thick on 5" bore models to allow for a wider range of mobile or industrial applications. Clevis ZG270-500 steel casting.

### 16. Cylinder Head

# 45 Steel, with 25% longer thread for increased strength. Threaded design ensures easy disassembly to allow for quick seal replacement.

### 15. FEM Cylinder

Now Primed and Painted Gloss Black.



# MAVERICK

## HYDRAULICS

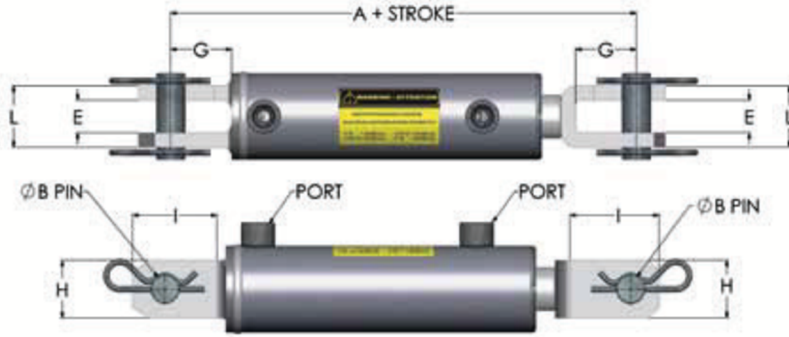
MODEL	BORE X STROKE (in.)	ROD DIA. (in.)	PIN DIA. (in.)	CENTER TO CENTER OF PIN (in.)		PORTS	MAX EXTENSION PRESSURE (PSI)	WEIGHT (lb)	SEAL KIT PART #				
				RETRACTED	EXTENDED								
MAV 20FEM04-10	2 X 4	1-1/4		14 1/4	18 1/4	SAE-6	3000	14	MAV MF 201250-10				
MAV 20FEM06-10	2 X 6			16 1/4	22 1/4			16					
MAV 20FEM08-10	2 X 8			18 1/4	26 1/4			18					
MAV 20FEM08-ASAE-10	2 X 8			20 1/4	28 1/4			19					
MAV 20FEM10-10	2 X 10			20 1/4	30 1/4			20					
MAV 20FEM12-10	2 X 12			22 1/4	34 1/4			21					
MAV 20FEM14-10	2 X 14			24 1/4	38 1/4			23					
MAV20FEM16-10	2 X 16			26 1/4	42 1/4			25					
* MAV 20FEM16-ASAE-10	2 X 16			31 1/2	47 1/2			27					
MAV 20FEM18-10	2 X 18			28 1/4	46 1/4			26					
MAV 20FEM20-10	2 X 20			30 1/4	50 1/4		28						
MAV 20FEM24-10	2 X 24			34 1/4	58 1/4		31						
MAV 20FEM28-10	2 X 28			38 1/4	66 1/4		35						
MAV 20FEM30-10	2 X 30			40 1/4	70 1/4		37						
MAV 20FEM32-10	2 X 32			42 1/4	74 1/4		38						
* MAV 20FEM34-10	2 X 34			44 1/4	78 1/4		40						
MAV 20FEM36-10	2 X 36			46 1/4	82 1/4		42						
MAV 25FEM04-10	2 1/2 X 4			1	1		14 1/4	18 1/4		SAE-8	3000	18	MAV MF 251500-10
MAV 25FEM06-10	2 1/2 X 6						16 1/4	22 1/4				20	
MAV 25FEM08-10	2 1/2 X 8						18 1/4	26 1/4				22	
MAV 25FEM08-ASAE-10	2 1/2 X 8	20 1/4	28 1/4			23							
MAV 25FEM10-10	2 1/2 X 10	20 1/4	30 1/4			25							
MAV 25FEM12-10	2 1/2 X 12	22 1/4	34 1/4			27							
MAV 25FEM14-10	2 1/2 X 14	24 1/4	38 1/4			29							
MAV 25FEM16-10	2 1/2 X 16	26 1/4	42 1/4			31							
* MAV 25FEM16-ASAE-10	2 1/2 X 16	31 1/2	47 1/2			34							
MAV 25FEM18-10	2 1/2 X 18	28 1/4	46 1/4			34							
MAV 25FEM20-10	2 1/2 X 20	30 1/4	50 1/4			36							
MAV 25FEM24-10	2 1/2 X 24	34 1/4	58 1/4			40							
MAV 25FEM28-10	2 1/2 X 28	38 1/4	66 1/4			45							
MAV 25FEM30-10	2 1/2 X 30	40 1/4	70 1/4			47							
* MAV 25FEM32-10	2 1/2 X 32	42 1/4	74 1/4			49							
MAV 25FEM34-10	2 1/2 X 34	44 1/4	78 1/4			51							
MAV 25FEM36-10	2 1/2 X 36	46 1/4	82 1/4			54							
MAV 30FEM04-10	3 X 4	1-1/2				14 1/4	18 1/4	SAE-8	3000		21	MAV MF 301500-10	
MAV 30FEM06-10	3 X 6					16 1/4	22 1/4				24		
MAV 30FEM08-10	3 X 8					18 1/4	26 1/4				26		
MAV 30FEM08-ASAE-10	3 X 8			20 1/4	28 1/4	27							
MAV 30FEM10-10	3 X 10			20 1/4	30 1/4	29							
MAV 30FEM12-10	3 X 12			22 1/4	34 1/4	31							
MAV 30FEM14-10	3 X 14			24 1/4	38 1/4	34							
MAV 30FEM16-10	3 X 16			26 1/4	42 1/4	34							
* MAV 30FEM16-ASAE-10	3 X 16			31 1/2	47 1/2	39							
MAV 30FEM18-10	3 X 18			28 1/4	46 1/4	39							
MAV 30FEM20-10	3 X 20			30 1/4	50 1/4	41							
MAV 30FEM24-10	3 X 24			34 1/4	58 1/4	46							
MAV 30FEM28-10	3 X 28			38 1/4	66 1/4	51							
MAV 30FEM30-10	3 X 30			40 1/4	70 1/4	53							
MAV 30FEM32-10	3 X 32			42 1/4	74 1/4	56							
MAV 30FEM34-10	3 X 34			44 1/4	78 1/4	58							
MAV 30FEM36-10	3 X 36			46 1/4	82 1/4	61							

# MAVERICK

## HYDRAULICS

MODEL	BORE X STROKE (in.)	ROD DIA. (in.)	PIN DIA. (in.)	CENTER TO CENTER OF PIN (in.)		PORTS	MAX EXTENSION PRESSURE (PSI)	WEIGHT (lb)	SEAL KIT PART #				
				RETRACTED	EXTENDED								
* MAV 35FEM04-10	3 1/2 X 4	1-3/4	1 & 1-1/4	14 1/4	18 1/4	SAE-8	3000	31	MAV MF 351750-10				
* MAV 35FEM06-10	3 1/2 X 6			16 1/4	22 1/4			34					
MAV 35FEM08-10	3 1/2 X 8			18 1/4	26 1/4			37					
* MAV 35FEM08-ASAE-10	3 1/2 X 8			20 1/4	28 1/4			39					
MAV 35FEM10-10	3 1/2 X 10			20 1/4	30 1/4			40					
MAV 35FEM12-10	3 1/2 X 12			22 1/4	34 1/4			43					
MAV 35FEM14-10	3 1/2 X 14			24 1/4	38 1/4			46					
MAV 35FEM16-10	3 1/2 X 16			26 1/4	42 1/4			49					
* MAV 35FEM16-ASAE-10	3 1/2 X 16			31 1/2	47 1/2		53						
MAV 35FEM18-10	3 1/2 X 18			28 1/4	46 1/4		52						
MAV 35FEM20-10	3 1/2 X 20			30 1/4	50 1/4		55						
MAV 35FEM24-10	3 1/2 X 24			34 1/4	58 1/4		61						
MAV 35FEM24-200-10	3 1/2 X 24			34 1/4	58 1/4		66						
MAV 35FEM28-10	3 1/2 X 28			38 1/4	66 1/4		68						
* MAV 35FEM30-10	3 1/2 X 30			40 1/4	70 1/4		71						
* MAV 35FEM32-10	3 1/2 X 32			42 1/4	74 1/4		74						
* MAV 35FEM34-10	3 1/2 X 34	44 1/4	78 1/4	77									
MAV35FEM36-10	3 1/2 X 36	46 1/4	82 1/4	80									
MAV 40FEM04-10	4 X 4	2	1 & 1-1/2	14 1/4	18 1/4	SAE-8	3000	46	MAV MF 402000-10				
MAV 40FEM06-10	4 X 6			16 1/4	22 1/4			51					
MAV 40FEM08-1	4 X 8			18 1/4	26 1/4			55					
* MAV 40FEM08-ASAE-10	4 X 8			20 1/4	28 1/4			57					
MAV 40FEM10-10	4 X 10			20 1/4	30 1/4			59					
MAV 40FEM12-10	4 X 12			22 1/4	34 1/4			63					
MAV 40FEM14-10	4 X 14			24 1/4	38 1/4			67					
MAV 40FEM16-10	4 X 16			26 1/4	42 1/4			72					
* MAV 40FEM16-ASAE-10	4 X 16			31 1/2	47 1/2			76					
MAV 40FEM18-10	4 X 18			28 1/4	46 1/4			76					
MAV 40FEM20-10	4 X 20			30 1/4	50 1/4			80					
MAV 0FEM24-10	4 X 24			34 1/4	58 1/4			88					
MAV 40FEM28-10	4 X 28			38 1/4	66 1/4		97						
MAV40FEM30-10	4 X 30			40 1/4	70 1/4		101						
MAV 40FEM32-10	4 X 32			42 1/4	74 1/4		105						
* MAV 40FEM34-10	4 X 34			44 1/4	78 1/4		109						
MAV 40FEM36-10	4 X 36			46 1/4	82 1/4		113						
* MAV 50FEM04-10	5 X 4			2-1/2	1-1/2 & 2		19 3/4	23 3/4		SAE-12	3000	95	MAV MF 502500-10
MAV 50FEM06-10	5 X 6						21 3/4	27 3/4				102	
MAV 50FEM08-10	5 X 8						23 3/4	31 3/4				108	
* MAV 50FEM10-10	5 X 10	25 3/4	35 3/4			114							
MAV 50FEM12-10	5 X 12	27 3/4	39 3/4			121							
* MAV 50FEM14-10	5 X 14	29 3/4	43 3/4			127							
* MAV 50FEM16-10	5 X 16	31 3/4	47 3/4			134							
MAV 50FEM18-10	5 X 18	33 3/4	51 3/4			140							
MAV 50FEM20-10	5 X 20	35 3/4	55 3/4			146							
MAV 50FEM24-10	5 X 24	39 3/4	63 3/4			159							
MAV 50FEM28-10	5 X 28	43 3/4	71 3/4			172							
MAV 50FEM30-10	5 X 30	45 3/4	75 3/4			178							
MAV 50FEM32-10	5 X 32	47 3/4	79 3/4			185							
* MAV 50FEM36-10	5 X 36	51 3/4	87 3/4			197							

\*Stocked in limited quantity.



**Operating Pressure: 3000 PSI**

**100% PRESSURE TESTED**

## FEM CYLINDER DIMENSIONS

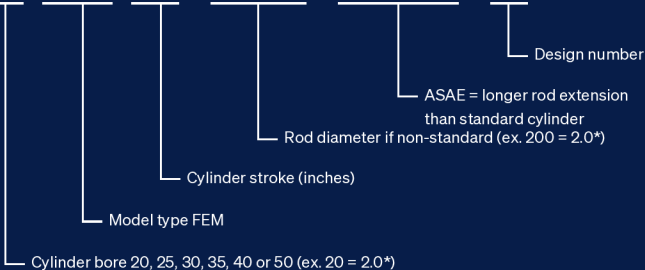
	TUBE DIA.	A *	Ø B PIN	E	G	H	I	L	PORTS (SAE)
in.	2.000	10.250	1.000	1.125	2.125	2.000	3.125	2.125	6
mm	50.80	260.35	25.40	28.60	53.98	50.80	79.37	53.98	
in.	2.500	10.250	1.000	1.125	2.125	2.000	3.125	2.125	8
mm	63.50	260.35	25.40	28.60	53.98	50.80	79.37	53.98	
in.	3.000	10.250	1.000	1.125	2.125	2.000	3.125	2.125	8
mm	76.20	260.35	25.40	28.60	53.98	50.80	79.37	53.98	
in.	3.500	10.250	1.000 / 1.250	1.125	2.000	2.500	3.875	2.375	8
mm	88.90	260.35	25.40 / 31.75	28.60	50.80	63.50	98.42	60.33	
in.	4.000	10.250	1.000 / 1.500	1.625	1.750	3.000	4.000	3.125	8
mm	101.60	260.35	25.40 / 38.10	41.28	44.45	76.20	101.60	79.38	
in.	5.000	15.750	1.500 / 2.000	2.125	3.500	4.000	6.500	4.125	12
mm	127.00	400.10	38.10 / 50.80	53.98	88.90	101.60	165.10	104.78	

### A\* - STANDARD ASAE CYLINDERS

	20FEM08-ASAE	20FEM16-ASAE	25FEM08-ASAE	25FEM16-ASAE	30FEM08-ASAE	30FEM16-ASAE	35FEM08-ASAE	35FEM16-ASAE	40FEM08-ASAE
in.	12.250	15.50	12.250	15.500	12.250	15.500	12.250	15.500	12.250
mm	311.15	393.70	311.15	393.70	311.15	393.70	311.15	393.70	311.15

## Model Number for FEM

**25 FEM XX - (200) - (ASAE) - 10**



## WARNING / ATTENTION

PLEASE NOTE THAT THE MAXIMUM CAPACITY OF CLEVIS PINS ARE:

VEUILLEZ NOTER QUE LA CAPACITÉ MAXIMUM DES GOUPILLES D'ATTACHEMENT EST DE:

1" Ø = 26,000 lbs

1-1/2" Ø = 56,000 lbs

1-1/4" Ø = 39,000 lbs

2" Ø = 96,000 lbs

## 5 REASONS TO CHOOSE MAVERICK

- Complete range of hydraulic services from manufacturing to repairs and power units
- Unique numbering for traceability
- 100% testing of our product to prevent defects
- CNC precision machining for longevity of product
- 1 year warranty shows our commitment



### VISIT US

1633 Trinity Drive,  
Mississauga, ON L5T 1K4

### CONTACT US

905-795-7885  
[maverickmachine.ca](http://maverickmachine.ca)