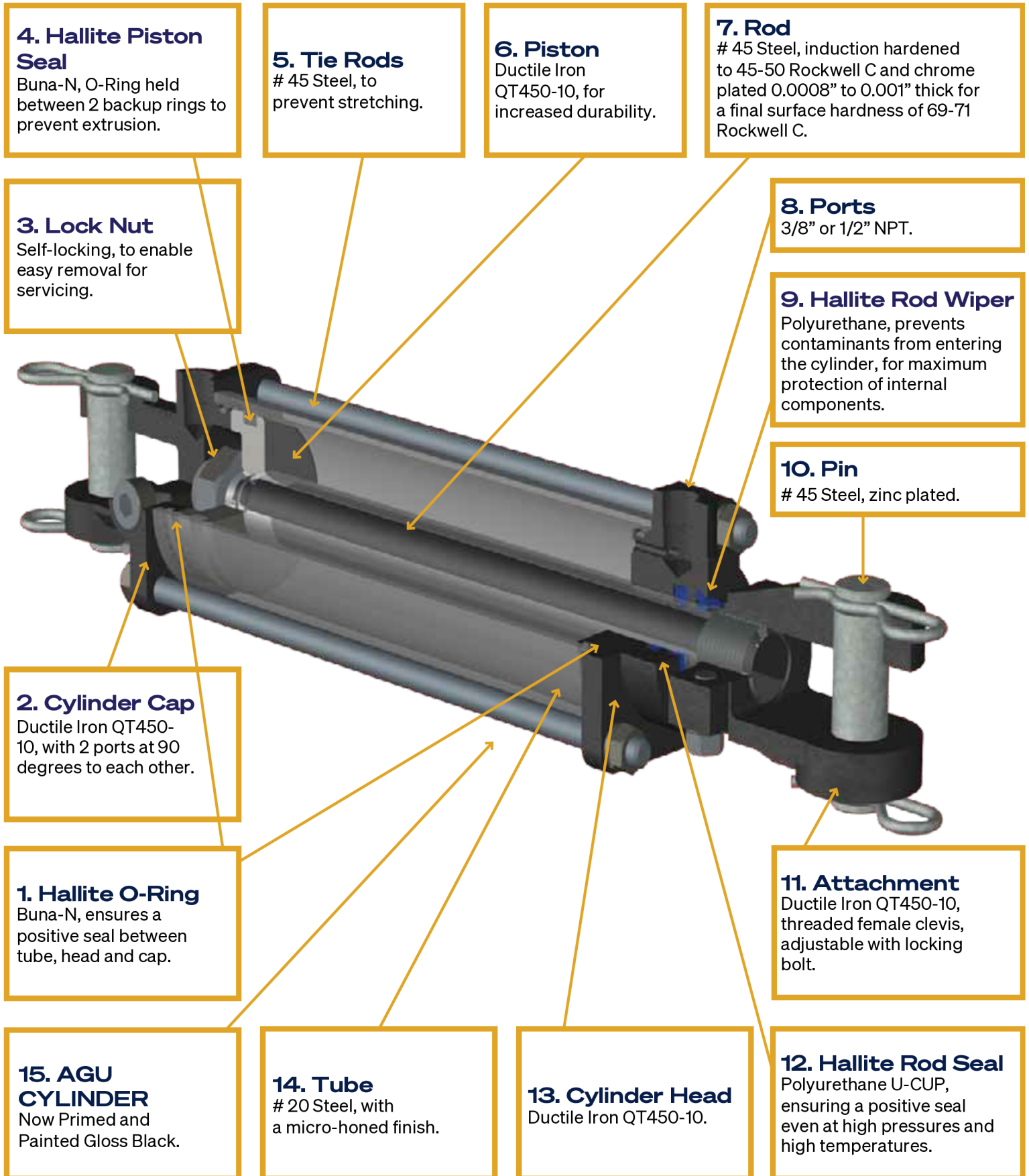


MAVERICK

HYDRAULICS



**AGRICULTURAL
CYLINDERS**



4. Hallite Piston Seal

Buna-N, O-Ring held between 2 backup rings to prevent extrusion.

5. Tie Rods

45 Steel, to prevent stretching.

6. Piston

Ductile Iron QT450-10, for increased durability.

7. Rod

45 Steel, induction hardened to 45-50 Rockwell C and chrome plated 0.0008" to 0.001" thick for a final surface hardness of 69-71 Rockwell C.

3. Lock Nut

Self-locking, to enable easy removal for servicing.

8. Ports

3/8" or 1/2" NPT.

9. Hallite Rod Wiper

Polyurethane, prevents contaminants from entering the cylinder, for maximum protection of internal components.

10. Pin

45 Steel, zinc plated.

2. Cylinder Cap

Ductile Iron QT450-10, with 2 ports at 90 degrees to each other.

1. Hallite O-Ring

Buna-N, ensures a positive seal between tube, head and cap.

11. Attachment

Ductile Iron QT450-10, threaded female clevis, adjustable with locking bolt.

15. AGU CYLINDER

Now Primed and Painted Gloss Black.

14. Tube

20 Steel, with a micro-honed finish.

13. Cylinder Head

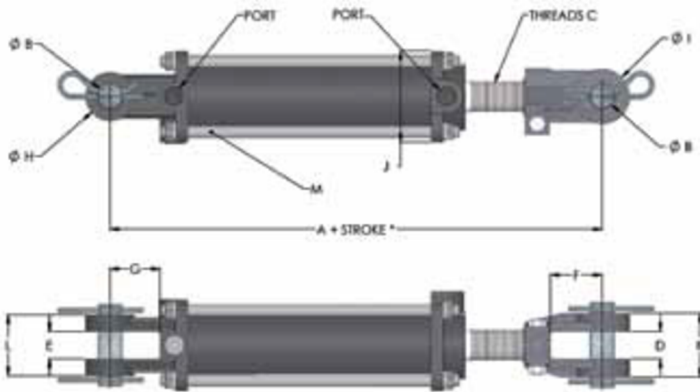
Ductile Iron QT450-10.

12. Hallite Rod Seal

Polyurethane U-CUP, ensuring a positive seal even at high pressures and high temperatures.

MODEL	BORE X STROKE (in.)	ROD DIA. (in.)	CENTER TO CENTER OF PIN (in.)		PORTS	MAX EXTENSION PRESSURE (PSI)	WEIGHT (lb)	SEAL KIT PART #		
			RETRACTED	EXTENDED						
MAV 20AGU04-10	2 X 4	1-1/8	14 1/4	18 1/4	3/8 NPT	2500	16	MAV AGU 201125-10		
MAV 20AGU06-10	2 X 6		16 1/4	22 1/4			17			
MAV 20AGU08-10	2 X 8		18 1/4	26 1/4			19			
MAV 20AGU08-ASAE-10	2 X 8		20 1/4	28 1/4			19			
MAV 20AGU10-10	2 X 10		20 1/4	30 1/4			20			
MAV 20AGU12-10	2 X 12		22 1/4	34 1/4			22			
MAV 20AGU14-10	2 X 14		24 1/4	38 1/4			24			
MAV 20AGU16-10	2 X 16		26 1/4	42 1/4			25			
MAV 20AGU18-10	2 X 18		28 1/4	46 1/4			27			
MAV 20AGU20-10	2 X 20		30 1/4	50 1/4			28			
MAV 20AGU24-10	2 X 24		34 1/4	58 1/4		31				
MAV 20AGU30-10	2 X 30		40 1/4	70 1/4		1500	36			
MAV 20AGU36-10	2 X 36		46 1/4	82 1/4		1100	40			
MAV 25AGU04-10	2 1/2 X 4		14 1/4	18 1/4		2500	2500		17	MAV AGU 251125-10
MAV 25AGU06-10	2 1/2 X 6		16 1/4	22 1/4					19	
MAV 25AGU08-10	2 1/2 X 8		18 1/4	26 1/4					21	
MAV 25AGU08-ASAE-10	2 1/2 X 8		20 1/4	28 1/4					21	
MAV 25AGU10-10	2 1/2 X 10		20 1/4	30 1/4					23	
MAV 25AGU12-10	2 1/2 X 12		22 1/4	34 1/4					24	
MAV 25AGU14-10	2 1/2 X 14		24 1/4	38 1/4					26	
MAV 25AGU16-10	2 1/2 X 16	26 1/4	42 1/4	28						
MAV 25AGU18-10	2 1/2 X 18	28 1/4	46 1/4	30						
MAV 25AGU20-10	2 1/2 X 20	30 1/4	50 1/4	2200	31					
MAV 25AGU24-10	2 1/2 X 24	34 1/4	58 1/4	1900	31					
MAV 25AGU30-10	2 1/2 X 30	40 1/4	70 1/4	1400	35					
MAV 25AGU36-10	2 1/2 X 36	46 1/4	82 1/4	950	40					
MAV 30AGU04-10	3 X 4	1-1/4	14 1/4	18 1/4	1/2 NPT	2500	22	MAV AGU 301250-10		
MAV 30AGU06-10	3 X 6		16 1/4	22 1/4			24			
MAV 30AGU08-10	3 X 8		18 1/4	26 1/4			26			
MAV 30AGU08-ASAE-10	3 X 8		20 1/4	28 1/4			27			
MAV 30AGU10-10	3 X 10		20 1/4	30 1/4			29			
MAV 30AGU12-10	3 X 12		22 1/4	34 1/4			31			
MAV 30AGU14-10	3 X 14		24 1/4	38 1/4			33			
MAV 30AGU16-10	3 X 16		26 1/4	42 1/4			35			
MAV 30AGU16-ASAE-10	3 X 16		31 1/2	47 1/2			2200		36	
MAV 30AGU18-10	3 X 18		28 1/4	46 1/4			2300		37	
MAV 30AGU20-10	3 X 20		30 1/4	50 1/4		2000	40			
MAV 30AGU24-10	3 X 24		34 1/4	58 1/4		1500	44			
MAV 30AGU30-10	3 X 30		40 1/4	70 1/4		1000	50			
MAV 30AGU36-10	3 X 36		46 1/4	82 1/4		750	57			
MAV 35AGU04-10	3 1/2 X 4		14 1/4	18 1/4		2500	2500		29	MAV AGU 351250-10
MAV 35AGU06-10	3 1/2 X 6		16 1/4	22 1/4					31	
MAV 35AGU08-10	3 1/2 X 8		18 1/4	26 1/4					34	
MAV 35AGU08-ASAE-10	3 1/2 X 8		20 1/4	28 1/4					35	
MAV 35AGU10-10	3 1/2 X 10		20 1/4	30 1/4					37	
MAV 35AGU12-10	3 1/2 X 12		22 1/4	34 1/4					39	
MAV 35AGU14-10	3 1/2 X 14	24 1/4	38 1/4	42						
MAV 35AGU16-10	3 1/2 X 16	26 1/4	42 1/4	44						
MAV 35AGU16-ASAE-10	3 1/2 X 16	31 1/2	47 1/2	2000	45					
MAV 35AGU18-10	3 1/2 X 18	28 1/4	46 1/4	1600	47					
MAV 35AGU20-10	3 1/2 X 20	30 1/4	50 1/4	1700	47					
MAV 35AGU24-10	3 1/2 X 24	34 1/4	58 1/4	1400	50					
MAV 35AGU30-10	3 1/2 X 30	40 1/4	70 1/4	2200	59	MAV AGU 351500-10				
MAV 35AGU36-10	3 1/2 X 36	46 1/4	82 1/4	1500	68					
MAV 40AGU04-10	4 X 4	1-1/4	14 1/4	18 1/4	2500	2500	34	MAV AGU 401250-10		
MAV 40AGU06-10	4 X 6		16 1/4	22 1/4			37			
MAV 40AGU08-10	4 X 8		18 1/4	26 1/4			40			
MAV 40AGU08-ASAE-10	4 X 8		20 1/4	28 1/4			40			
MAV 40AGU10-10	4 X 10		20 1/4	30 1/4			43			
MAV 40AGU12-10	4 X 12		22 1/4	34 1/4			2400		45	
MAV 40AGU14-10	4 X 14		24 1/4	38 1/4			1900		48	
MAV 40AGU16-10	4 X 16		26 1/4	42 1/4			1600		51	
MAV 40AGU16-ASAE-10	4 X 16		31 1/2	47 1/2			2500		60	MAV AGU 402000-10
MAV 40AGU18-10	4 X 18		28 1/4	46 1/4			2500		57	MAV AGU 401500-10
MAV 40AGU20-10	4 X 20	30 1/4	50 1/4	2300	60					
MAV 40AGU24-150-10	4 X 24	34 1/4	58 1/4	1700	66	MAV AGU 401750-10				
MAV 40AGU24-175-10	4 X 24	34 1/4	58 1/4	2500	70					
MAV 40AGU24-200-10	4 X 24	34 1/4	58 1/4	2500	75	MAV AGU 402000-10				
MAV 40AGU30-10	4 X 30	40 1/4	70 1/4		87					
MAV 40AGU36-10	4 X 36	46 1/4	82 1/4		98					

*Stocked in limited quantity.



Operating Pressure: 2500 PSI

100% PRESSURE TESTED

AGU CYLINDER DIMENSIONS

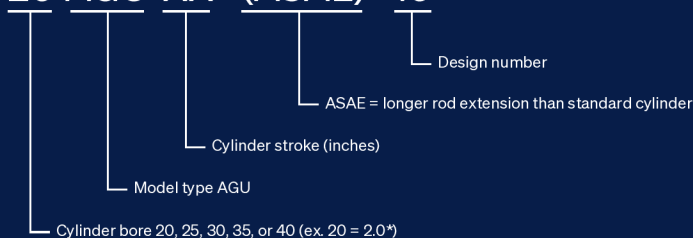
	TUBE DIA.	A *	Ø B PIN	C (UNF)	D	E	F	G	H	I	J	K	L	M	PORTS (NPT)
in.	2.000	10.250	1.000	11/8 - 12	1.125	1.125		2.062	2.000	2.000	3.000	2.500	2.500	0.393	3/8
mm	50.80	260.35	25.40		28.57	28.57	53.97	52.38	50.80	50.80	76.20	63.50	63.50	10.00	
in.	2.500	10.250	1.000	11/8 - 12	1.125	1.125		2.062	2.000	2.000	3.125	2.500	2.500	0.393	3/8
mm	63.50	260.35	25.40		28.57	28.57	53.97	52.38	50.80	50.80	79.38	63.50	63.50	10.00	
in.	3.000	10.250	1.000	11/4 - 12	1.125	1.125		2.062	2.000	2.250	3.750	2.625	2.500	0.472	1/2
mm	76.20	260.35	25.40		28.57	28.57	53.97	52.38	50.80	57.14	95.25	66.68	63.50	12.00	
in.	3.500	10.250	1.000	11/4 - 12	1.125	1.125		2.062	2.250	2.250	4.375	2.625	2.500	0.629	1/2
mm	88.90	260.35	25.40		28.57	28.57	53.97	52.38	57.15	57.15	111.13	66.68	63.50	16.00	
in.	4.000	10.250	1.000	11/4 - 12	1.125	1.125		2.062	2.250	2.250	4.625	2.625	2.625	0.629	1/2
mm	101.60	260.35	25.40		28.57	28.57	53.97	52.38	57.15	57.15	117.48	66.68	66.68	16.00	

A* - STANDARD ASAE CYLINDERS

	20AGU08-ASAE	25AGU08-ASAE	30AGU08-ASAE	30AGU16-ASAE	35AGU08-ASAE	35AGU16-ASAE	40AGU08-ASAE	40AGU16-ASAE
in.	12.250	12.250	12.250	15.500	12.250	15.500	12.250	15.500
mm	311.15	311.15	311.15	393.70	311.15	393.70	311.15	393.70

Model Number for AGU

20 AGU XX - (ASAE) - 10



WARNING / ATTENTION

PLEASE NOTE THAT THE MAXIMUM CAPACITY OF CLEVIS PINS ARE:

VEULEZ NOTER QUE LA CAPACITÉ MAXIMUM DES GOUPILLES D'ATTACHEMENT EST DE:

1" Ø = 26,000 lbs

1-1/2" Ø = 56,000 lbs

1-1/4" Ø = 39,000 lbs

2" Ø = 96,000 lbs

5 REASONS TO CHOOSE MAVERICK

- Complete range of hydraulic services from manufacturing to repairs and power units
- Unique numbering for traceability
- 100% testing of our product to prevent defects
- CNC precision machining for longevity of product
- 1 year warranty shows our commitment



VISIT US

1633 Trinity Drive,
Mississauga, ON L5T 1K4

CONTACT US

905-795-7885
maverickmachine.ca