

**4. Cap**  
Threaded, to enable easy removal for servicing.

**5. Wear Ring**  
Glass fiber reinforced nylon, improves cylinder life by preventing side load induced metal to metal wear.

**6. ITC**  
Now Primed and Painted Gloss Black.

**7. Rod Sections**  
# 45 steel, each section is micro-honed inside and chrome plated outside to increase corrosion and wear resistance as well as durability. The chrome plating is 0.0008" to 0.0010" thick for a final surface hardness of 69-71 Rockwell C.

**8. Trunnion**  
With angular swivels to allow a small amount of misalignment.

**9. Pin Eye**  
# 45 Steel.  
1" pin diameter standard on 7 ton.  
1 1/2" pin diameter standard on 12 ton with an adapter available for 1" pin diameter.

**10. Port**  
SAE 8

**3. Bleed Screw**  
To allow air to be bled out of cylinder after installation.

**2. Retaining Rings**  
A228 music wire.

**1. External Tube**  
# 20 Steel.

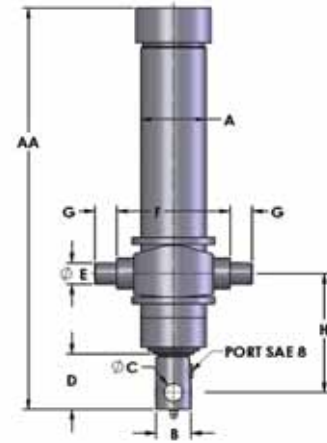
**13. Rod Seal**  
Polyurethane U-CUP, ensuring a positive seal even at high pressures and high temperatures.

**12. Rod Wiper**  
Polyurethane, prevents contaminants from entering the cylinder, for maximum protection of internal components.

**11. Grease Fittings**  
Two, installed opposite each other to simplify lubrication.



Power Pack  
See page 18



## INVERTED TELESCOPIC CYLINDERS

7 ton series - 1 3/4", 2 3/8" & 3" sections - 2000 PSI

Dimensions in inches

MODEL	CAPACITY	STROKE	AA	A	B	Ø C	D	E	F	G	H	Fluid Volume (gal)	WEIGHT (lb)
HYS 07-ITC-78-3-10	7 ton	78.00	35.50	3.74	2.00	1.00	3.19	1.25	6.50	1.25	7.00	1.6	81
HYS 07-ITC-90-3-10	7 ton	90.00	39.50	3.74	2.00	1.00	3.19	1.25	6.50	1.25	7.00	1.8	88
HYS 07-ITC-108-3-10	7 ton	108.00	45.50	3.74	2.00	1.00	3.19	1.25	6.50	1.25	7.00	2.2	104
HYS ITC07-10	Seal Kit for 7 ton telescopic cylinder												

12 ton series - 2 3/8", 3" & 3 5/8" sections - 2300 PSI

Dimensions in inches

MODEL	CAPACITY	STROKE	AA	A	B	Ø C	D	E	F	G	H	Fluid Volume (gal)	WEIGHT (lb)
HYS12-ITC-078-3-10	12 ton	78.00	34.75	4.43	2.00	1.00 & 1.50	3.54	1.50	7.61	1.43	7.00	2.5	106.00
HYS12-ITC-090-3-10	12 ton	90.00	38.75	4.43	2.00	1.00 & 1.50	3.54	1.50	7.61	1.43	7.00	2.8	114.00
HYS12-ITC-108-3-10	12 ton	108.00	44.75	4.43	2.00	1.00 & 1.50	3.54	1.50	7.61	1.43	7.00	2.4	132.00
HYS12-ITC-120-3-10	12 ton	120.00	48.75	4.43	2.00	1.00 & 1.50	3.54	1.50	7.61	1.43	7.00	3.8	143.00
HYS ITC12-10	Seal Kit for 12 ton telescopic cylinder												

## FRAME AND BOX BRACKETS - 7 TON & 12 TON



Box bracket



Frame bracket

PART #	DESCRIPTION
HYS 712-ITS-000-10	Frame bracket for 7 ton and 12 ton cylinder
HYS 007-ITS-000-10	Box bracket for 7 ton cylinder (2 required per cylinder)
HYS 012-ITS-000-10	Box bracket for 12 ton cylinder (2 required per cylinder)

ASK FOR HY-SPEC QUALITY

Note actual products may differ from photos shown in this brochure.  
Product availability and specifications are subject to change without notice.

1.866.546.3267  
www.Hy-spec.com